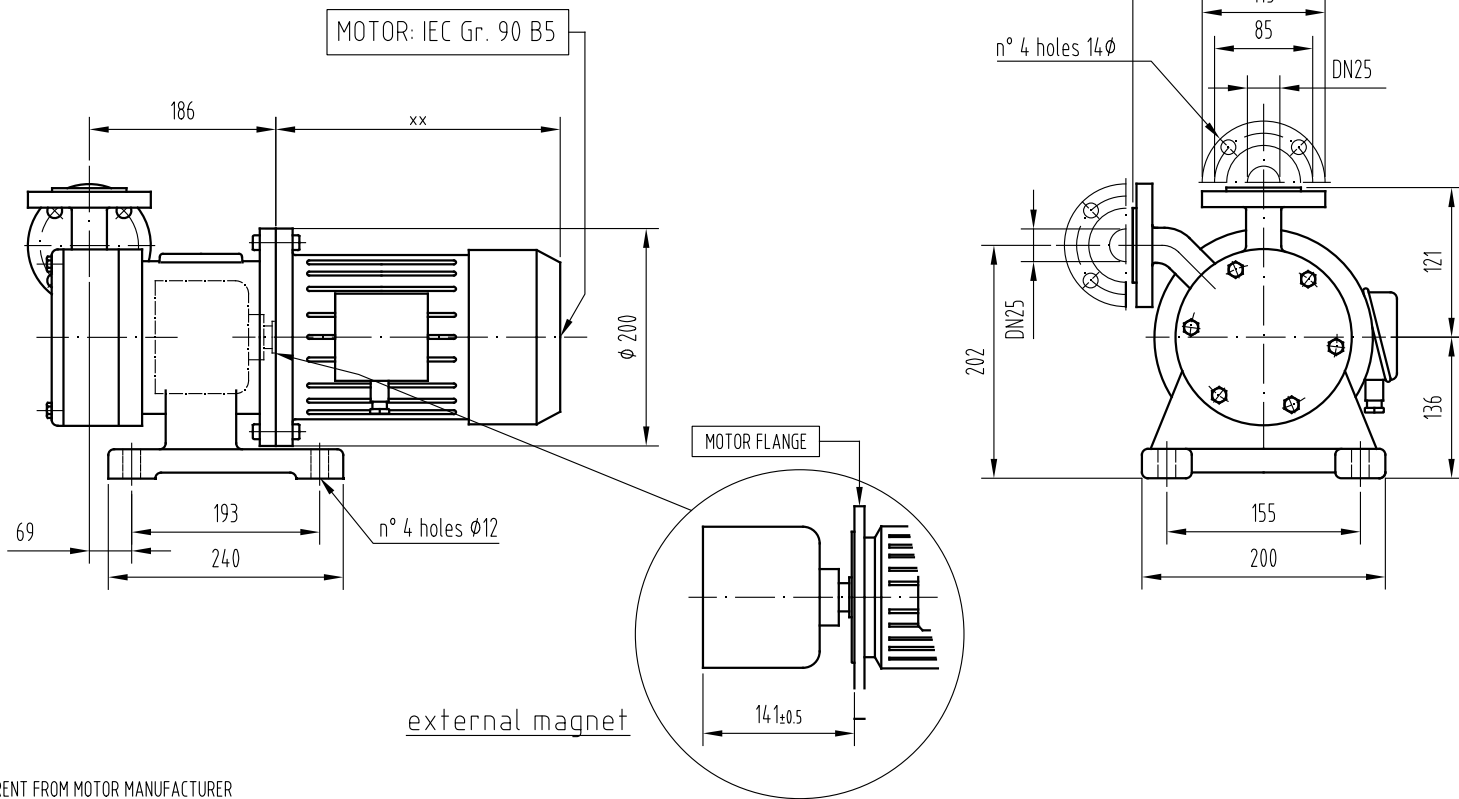


dimensions in mm



(xx) DIFFERENT FROM MOTOR MANUFACTURER
- DIRECTION AND PORTS LOCATION ARE REVERSIBLE

FLANGES DIN 2633 PN 16

REF	DESCRIPTION	MATERIAL	CODE
10	Containment shell	SS 316L	CA-MTA4010S6
20	Ext. Magnet	CoSm/ Carbon Steel	CA-MTA402005
30	Int. Magnet	SS 316L/CoSm	CA-MTA4030S65
40	Impeller	SS 316L	CA-MTA4040S6
50	Set O-Rings (a+b+c) a + b = O-Ring 4337 (237) c = O-Ring 4400 (242)	Viton	CA-MTA4050V
61	Thrust Bearings	Pcarbon	CA-MTA40614
62	Rear Ring	SS316L	CA-MTA4062S6N
70	Shaft	SIC	CA-MTA407003
75	Sleeve Bearings Bearings (d+e) Bearing (f)	SIC SS316	CA-MTA2075S65
78	Bracket (200-130-24)	Cast Iron	CA-MTA4078Y1105
79	Rub Ring	Bronze	CA-MTA40796
84	End Cover	SS 316L	CA-MTA4084S6N
85	Pump Casing	SS 316L	CA-MTA4085S604
88	Rear Wet End (10+30+40+50+61+62+70+75)	/	CA-MTA4088S6R005403VNNN0000N

Magnetically coupled, leak-free regenerative turbine pump
made of stainless steel in closed coupled design.

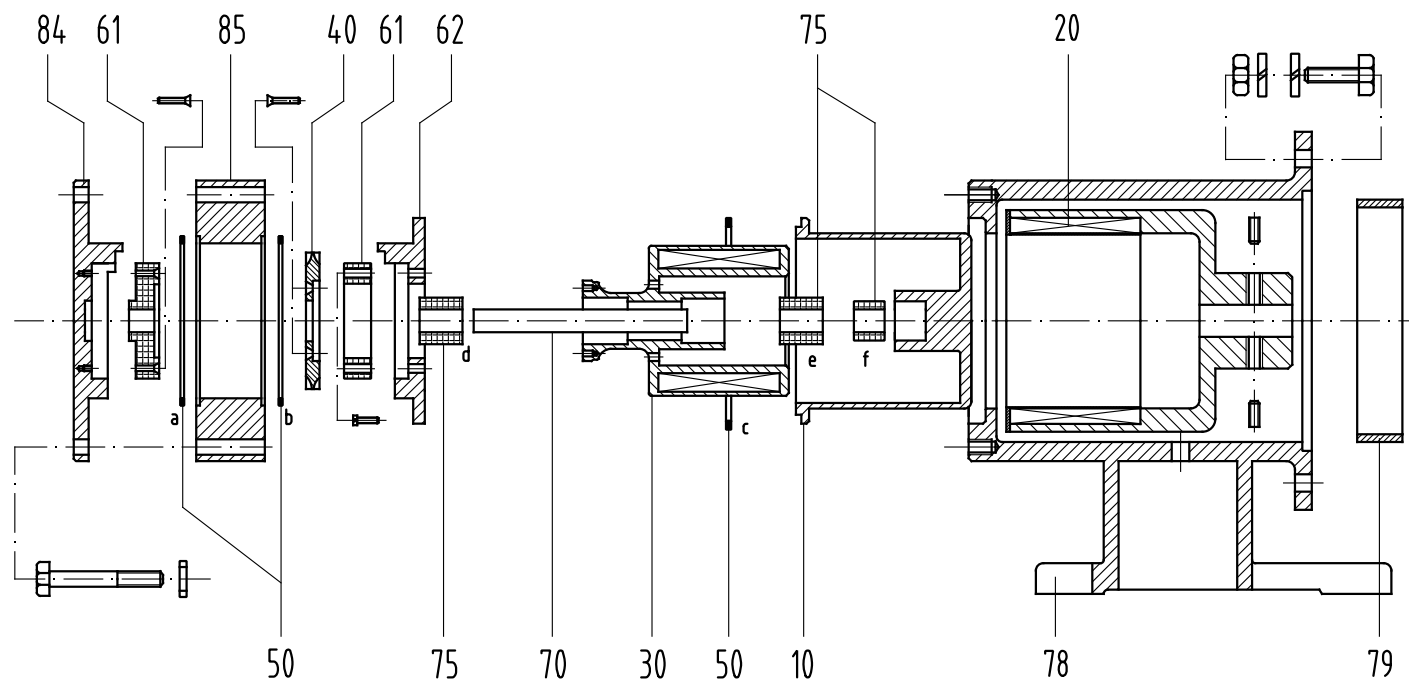
Type: MTA 49 SSF - SVISICS

PERFORMANCE DATA

Nomial speed: 1450 1 / min
Capacity flow, max.: 2,15 m³ / h
Delivery height, max.: 18,5 mWs
System pressure max.: 16 bar
Temperature max.: 315 °C
NPSH required: 1,0 m - 4,0 m (depending on the operating point)

-CONNECTIONS

Suction/Discharge side: Flange acc. to DIN2633 DN25 PN16



MARCH PUMPEN GmbH & Co.KG

Rathenastraße 2
D-35394 Gießen

www.march-pumpen.com
info@march-pumpen.com

Baureihe / Series:

MTA

Type / Type:

MTA 49 SSF SVISICS

Motor:

IEC 90 B5